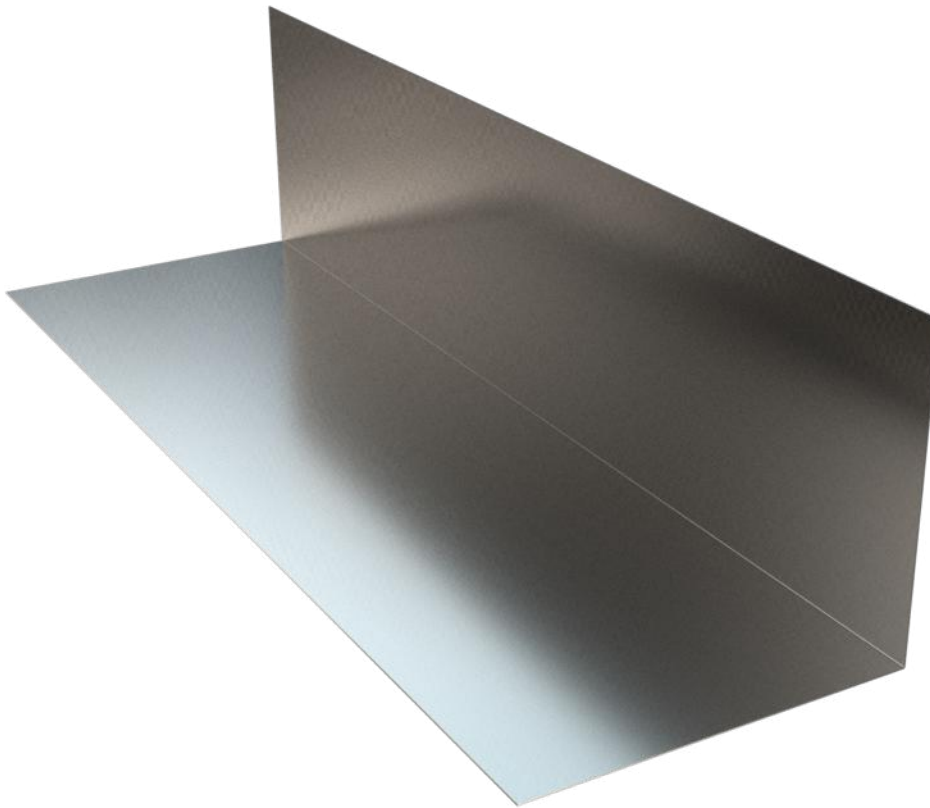


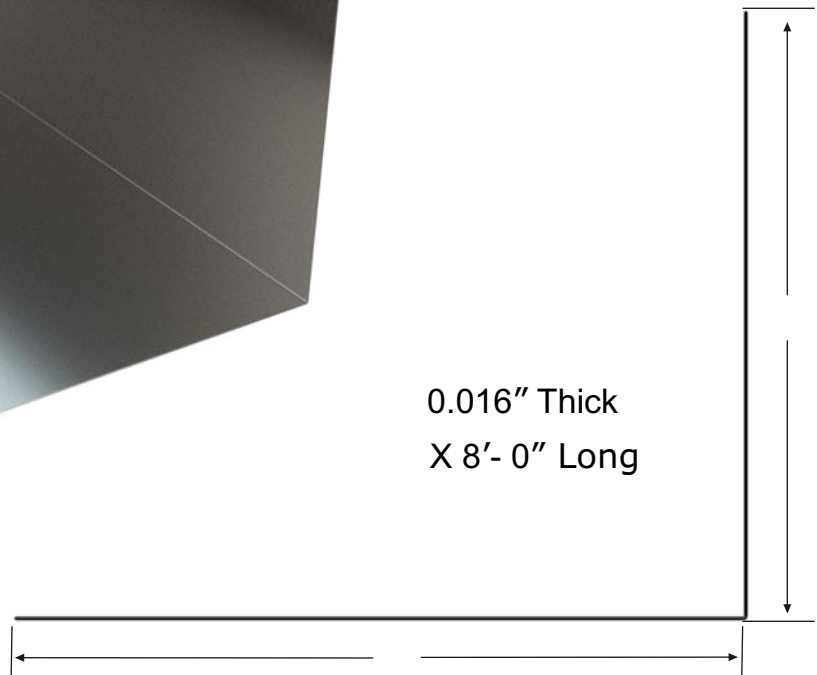
PRODUCT SUBMITTAL

WIRE-BOND

JAMB FLASHING ST. ST.



0.016" Thick
X 8'- 0" Long



Quantity:

MATERIAL CONFORMANCE	SIZES / FINISHES
SHEET METAL: Stainless Steel Type 304: ASTM A240/A240M, ASTM A666, ASTM A480/A480M, and ASTM A167 (Type 316 available on special orders) Steel Products (flats) Recycled Content: Stainless Steel, 60% Post Consumer V O C Content - 0%	CUSTOM STAINLESS STEEL FLASHING: 0.016" Thick X 8'- 0" Long FINISH: Stainless Steel Type 304: ASTM A240/A240M, ASTM A666, ASTM A480/A480M, and ASTM A167

Corporate Office: 400 Rountree Rd Charlotte, NC 28217
TEL: (800) 849-6722 FAX: (704) 525-3761
Mailing Address: P.O. Box 240988 Charlotte, NC 28224



Memphis Plant: 2365 Harbor Ave. Memphis, TN 38113
TEL: (800) 441-8359 FAX: (901) 775-9449
Mailing Address: P.O. Box 13124 Memphis, TN 38113