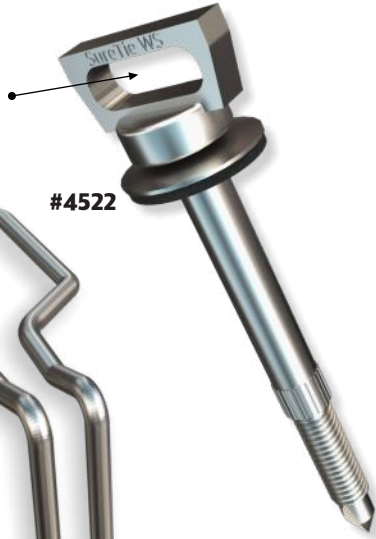


# PRODUCT SUBMITTAL



## SureTie WS Anchoring System Thermal

Designed with a Wide Slot to accept the #4515 SureTie WS Adjustable Double Hook,



#4515

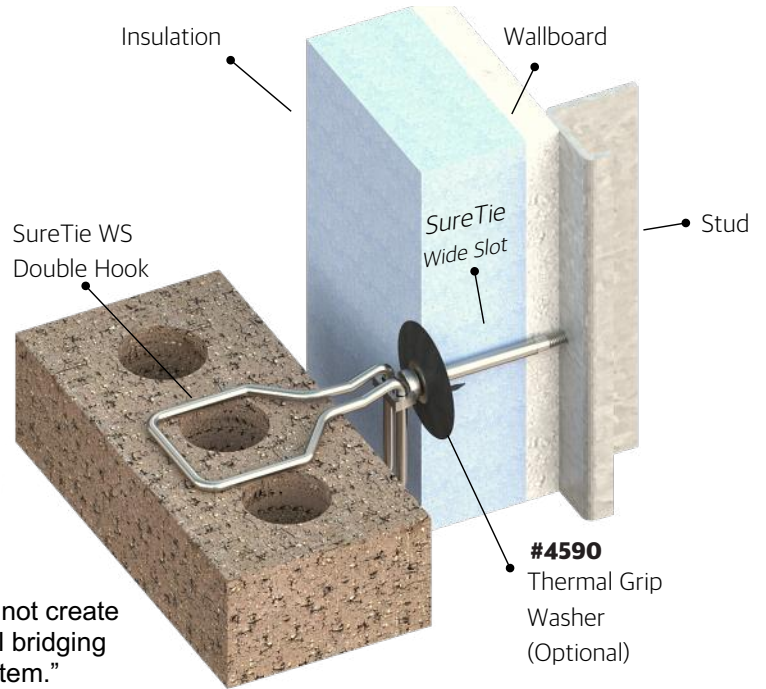
#4522

#4590

Prevents air, wind and moisture penetration.



"SureTie fasteners do not create any significant thermal bridging effects on the wall system."



Test Results Available Upon Request

MATERIAL CONFORMANCE	SIZES / FINISHES
<p><b>ASTM A1064/A1064M, ASTM A82 / A82M</b> - (Cold drawn steel wire) Tensile Strength - 80,000 psi Yield Point - 70,000 psi</p> <p><b>ACI / ASCE 530</b> - (Building code requirements for masonry structures)</p> <p>Mill Galvanized / Zinc Coating: <b>ASTM A641 / A641M (0.10 Oz per sq ft)</b></p> <p>Hot Dip Galvanized after fabrication / Zinc Coating <b>ASTM A153 / A153M-B2 (1.50 oz per sq ft)</b></p> <p>Hook Only: Stainless Steel <b>ASTM 580 / ASTM 580M Type 304</b> (Type 316 available on special order)</p>	<p><b># 4522 SureTie WS</b> Silver-gray climaseal finish resulted in 0% red rust at 1000 hours exposure to ASTM B-117 salt spray testing.</p> <p><b>Insulation:</b> 0" 1" 1-1/2" 2" 2-1/2" 3" 3-1/2" 4" 4-1/2"</p> <p><b># 4515 SureTie Double Hook</b> 3/16" dia. 3" 4" 5"</p> <p><b>#4590 Thermal Grip Washer</b> 2" dia. washer with solid cap design (no keyholes) Pre-spotting prongs Stiffened center "Bullseye" ring prevents fastener pull-through Flexible perimeter compresses on surface and reduces tearing Flattens on surface of insulation</p>
<p><b>Recycled Content:</b> Mill Galvanized &amp; Hot Dipped, 82.8% Post-Consumer 17% Post Industrial / Pre-Consumer,</p> <p>Stainless Steel, 60% Post Consumer V O C Content - 0%</p>	<p><b>FINISH : ( Sure Tie Hook)</b> Mill Galvanized Hot Dip Galvanized Stainless Steel</p>



**Corporate Office:** 400 Rountree Rd Charlotte, NC 28217  
TEL: (800) 849-6722 FAX: (704) 525-3761

**Mailing Address:** P.O. Box 240988 Charlotte, NC 28224



[www.wirebond.com](http://www.wirebond.com)

**Memphis Plant:** 2365 Harbor Ave. Memphis, TN 38113  
TEL: (800) 441-8359 FAX: (901) 775-9449

**Mailing Address:** P.O. Box 13124 Memphis, TN 38113