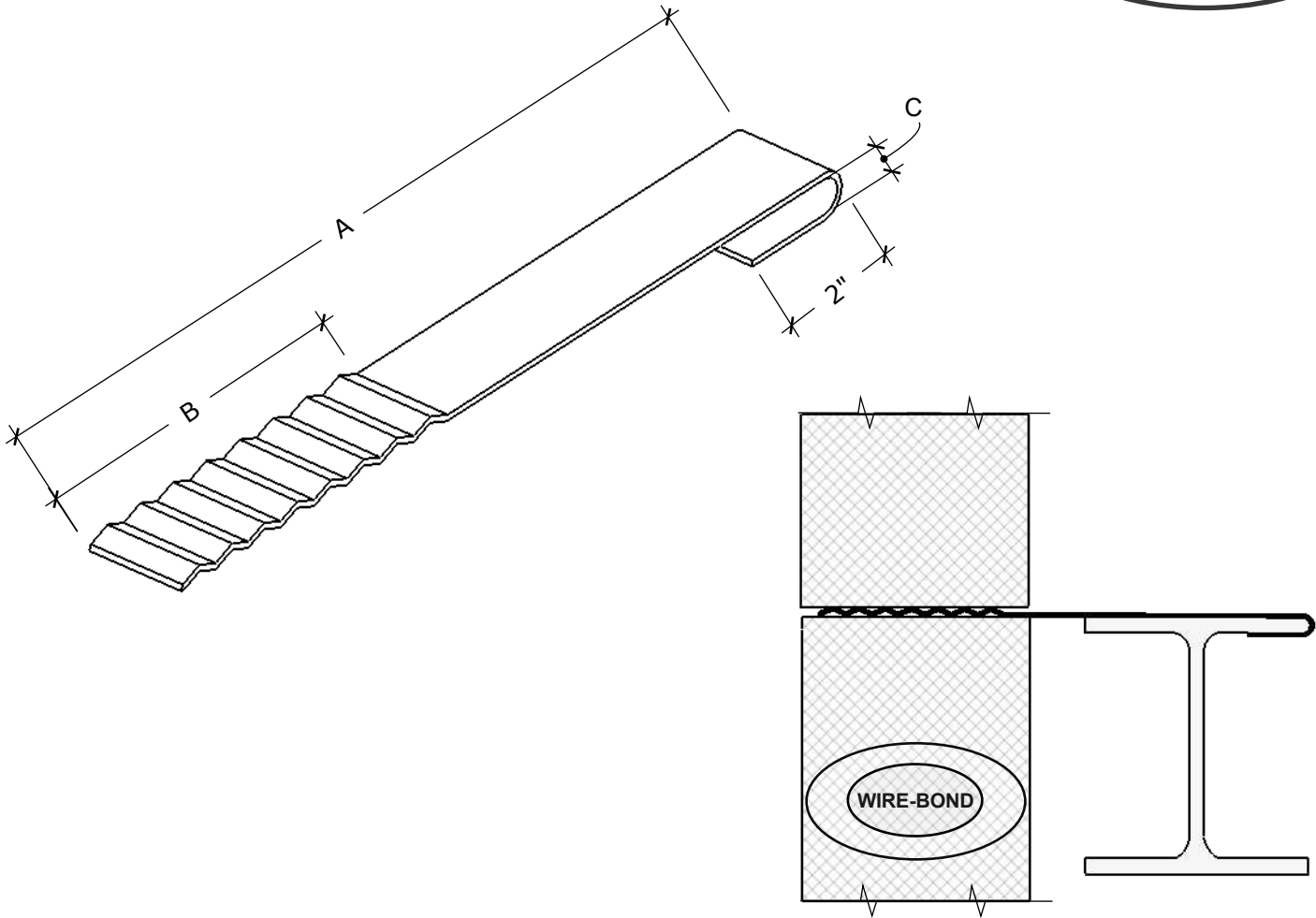


# PRODUCT SUBMITTAL

## #2750 Beam Anchor

WIRE-BOND



**#2750 Beam Anchor** for anchoring masonry to structural beam.

**SHEET METAL** - (Carbon Steel): ASTM A1008 / A1008M or ASTM A36/A36M

**Hot Dip Galvanized after fabrication / Zinc Coating**  
ASTM A153 / A153M-B2 (1.50 oz per sq ft) or ASTM A123/A123M

**SHEET METAL** - (Stainless Steel): ASTM A666, ASTM A480/480M, and ASTM A240/A240M. AISI Type 304 or 316



**Recycled Content:**

Hot Dipped,  
82.8% Post-Consumer  
17% Post Industrial / Pre-Consumer,

Stainless Steel,  
60% Post Consumer  
V O C Content - 0%

**DIMENSIONS:**

1-1/4" wide x 12gauge or 1/4" thick x specified length.

**ANCHOR THICKNESS:**

12 gauge (Standard)

Other \_\_\_\_\_

**A. Overall Length:** \_\_\_\_\_

**B. Corrugation Length:** \_\_\_\_\_

**C. Inside Diameter of Hook:** 1-1/2" Standard ~~1-1/2"~~ Other \_\_\_\_\_

**FINISH:**

Mill Galvanized

Stainless Steel: Type 304

Hot Dip Galvanized

Stainless Steel: Type 316

**Corporate Office:** 400 Rountree Rd Charlotte, NC 28217  
TEL: (800) 849-6722 FAX: (704) 525-3761

**Mailing Address:** P.O. Box 240988 Charlotte, NC 28224



wirebond.com

**Memphis Plant:** 2365 Harbor Ave. Memphis, TN 38113  
TEL: (800) 441-8359 FAX: (901) 775-94

**Mailing Address:** P.O. Box 13124 Memphis, TN 38113