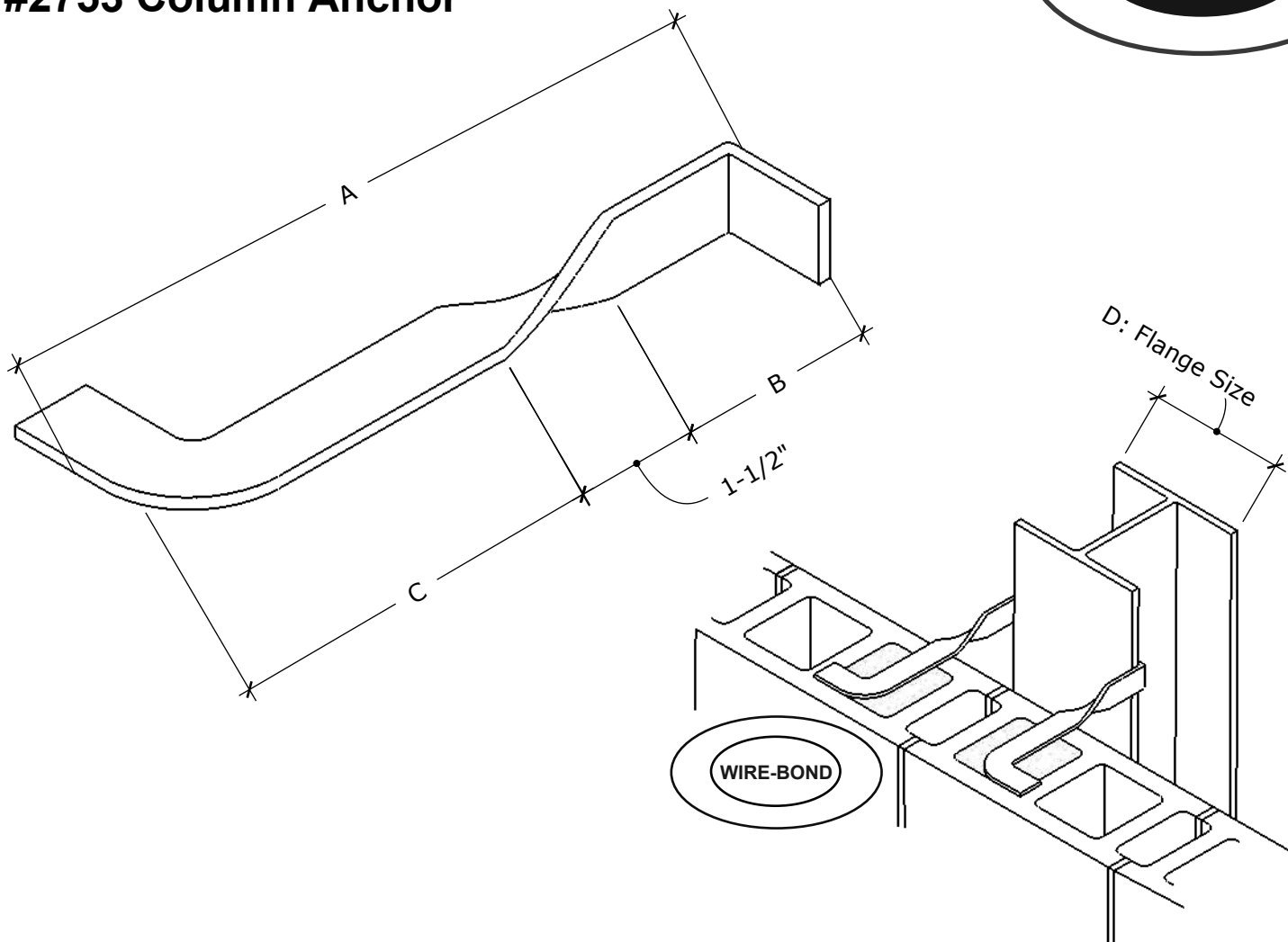


PRODUCT SUBMITTAL

#2753 Column Anchor

WIRE-BOND



SHEET METAL - (Carbon Steel): ASTM A1008 / A1008M or ASTM A36/A36M

Hot Dip Galvanized after fabrication / Zinc Coating
ASTM A153 / A153M-B2 (1.50 oz per sq ft) or ASTM A123/A123M

SHEET METAL - (Stainless Steel): ASTM A666, ASTM A480/480M, and ASTM A240/A240M. AISI Type 304 or 316

SHEET METAL - 3/4" wide x 1/4" thick x specified length.
Made to order based on dimensions listed to the right.

ANCHOR THICKNESS:

1/4"

ANCHOR DIMENSIONS (refer to drawing above):

- A. Overall Length _____
- B. Length Before Twist _____
- C. Length Past End of Twist _____
- D. Flange Size _____

FINISH:

Hot Dip Galvanized

Stainless Steel: Type 304

Stainless Steel: Type 316



Recycled Content:

Hot Dipped,
82.8% Post-Consumer
17% Post Industrial / Pre-Consumer,

Stainless Steel,
60% Post Consumer
V O C Content - 0%

Corporate Office: 400 Rountree Rd Charlotte, NC 28217
TEL: (800) 849-6722 FAX: (704) 525-3761

Mailing Address: P.O. Box 240988 Charlotte, NC 28224



wirebond.com

Memphis Plant: 2365 Harbor Ave. Memphis, TN 38113
TEL: (800) 441-8359 FAX: (901) 775-94

Mailing Address: P.O. Box 13124 Memphis, TN 38113