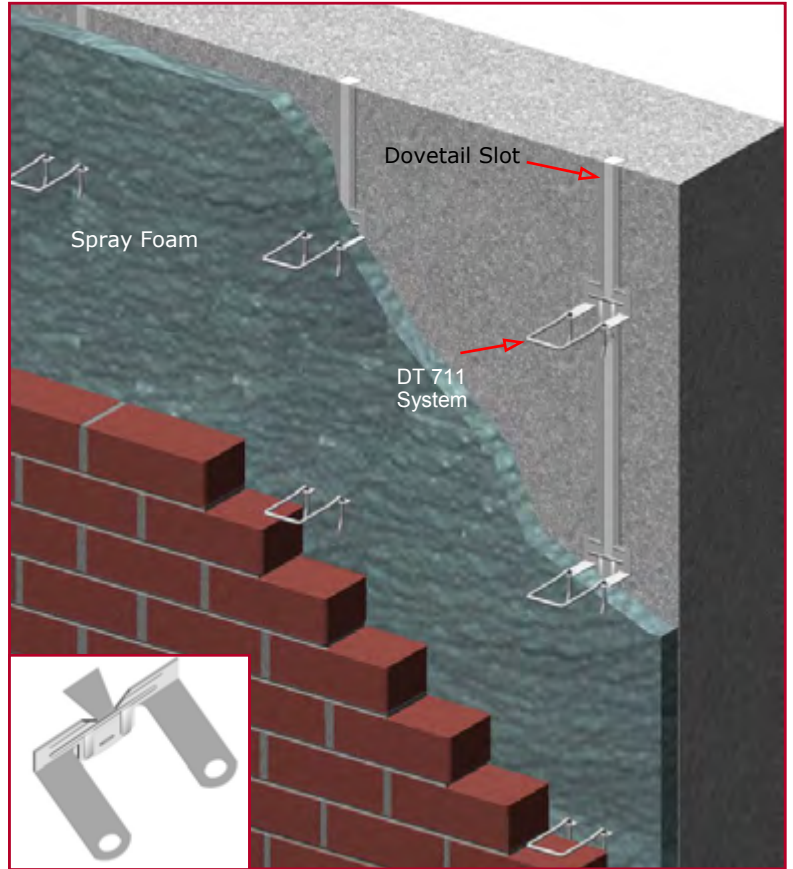
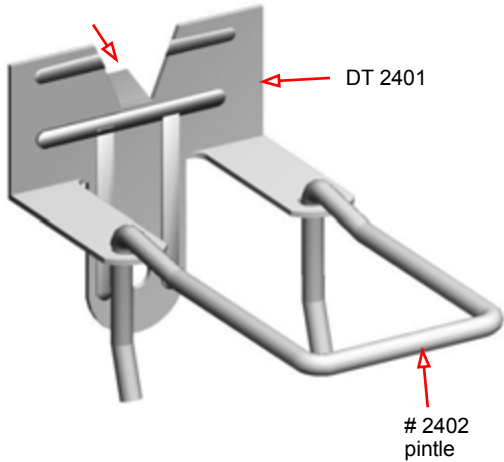


PRODUCT SUBMITTAL



DT 711 Anchoring System (Patent Pending)

Dovetail
(sized to fit WIRE-BOND #1304 Dovetail Slot)



- Designed for concrete backup walls and spray insulation applications
- Dovetail Plates (*DT 2401*) are inserted into vertical dovetail slots (*WB 1304*) forming a 24" x 16" spacing grid to meet **ACI 530** code requirements.
- Spray foam installer uses the holes on the legs of the plate as a guide for different thicknesses of foam.
- The DT 711 System ensures the correct thickness of insulation and saves the installer valuable time.

MATERIAL CONFORMANCE

ASTM A82 / A82M - (Cold drawn steel wire)
Tensile Strength - 80,000 psi
Yield Point - 70,000 psi
ACI / ASCE 530 - (Building code requirements for masonry structures)
SHEET METAL - (Carbon Steel) **ASTM A1008 / A1008M**
Mill Galvanized / Zinc Coating: **ASTM A641 / A641M (0.10 Oz per sq ft)**
Hot Dip Galvanized after fabrication / Zinc Coating
ASTM A153 / A153M-B2 (1.50 oz per sq ft)
Stainless Steel **ASTM 580 / ASTM 580M Type 304** (Type 316 available on special order)

Recycled Content:
Mill Galvanized & Hot Dipped,
82.8% Post-Consumer
17% Post Industrial / Pre-Consumer,

Stainless Steel,
60% Post Consumer
V O C Content - 0%

SIZES / FINISHES

DT 2401 Plate

14 gauge 12 gauge
(Plate length to accommodate insulation)

Insulation:

0" 1" 1-1/2" 2" 2-1/2" 3" 3-1/2" 4"

#2402 Pintle:

■ 3/16" diameter

#2402 Length:

3-1/4" 4-1/4" 5-1/4" other _____

Finish:

Mill Galvanized Hot Dip Galvanized Stainless Steel



Corporate Office: 400 Rountree Rd Charlotte, NC 28217
TEL: (800) 849-6722 FAX: (704) 525-3761

Mailing Address: P.O. Box 240988 Charlotte, NC 28224



www.wirebond.com

Memphis Plant: 2365 Harbor Ave. Memphis, TN 38113
TEL: (800) 441-8359 FAX: (901) 775-9449

Mailing Address: P.O. Box 13124 Memphis, TN 38113