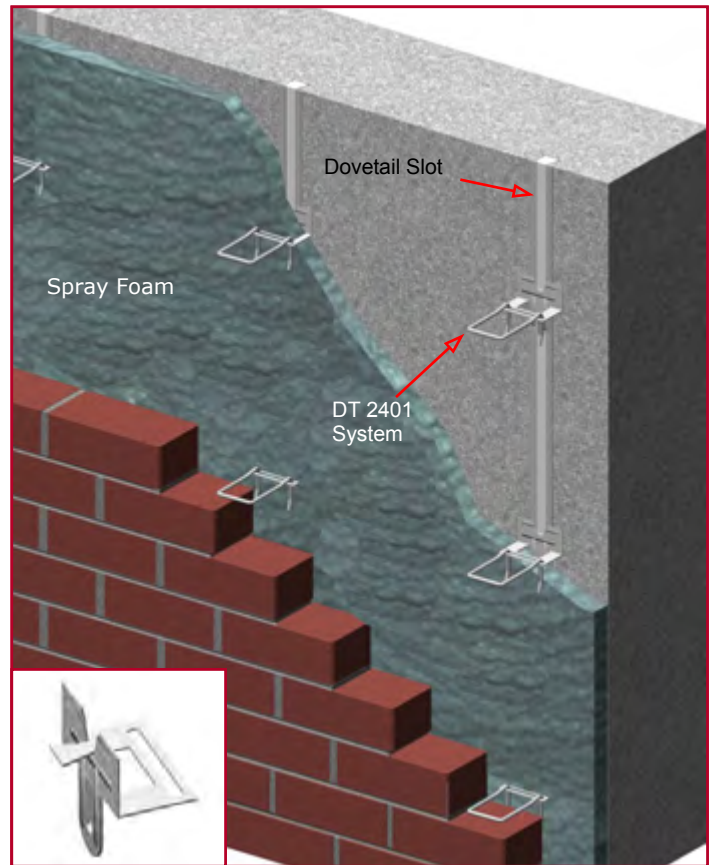
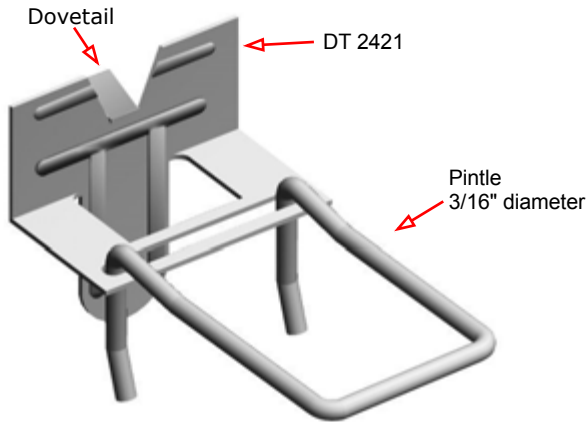


PRODUCT SUBMITTAL




DT 2421 Anchoring System

(Patent Pending)



- Designed for concrete backup walls and spray insulation applications
- Dovetail Plates (*DT 2421*) are inserted into vertical dovetail slots (*WB 1304*) forming a 24" x 16" spacing grid to meet **ACI 530** code requirements.
- Spray foam installer uses the slotted leg of the plate as a guide for different thicknesses of foam.
- The DT 721 System ensures the correct thickness of insulation and saves the installer valuable time.

MATERIAL CONFORMANCE	SIZES / FINISHES
<p>ASTM A82 / A82M - (Cold drawn steel wire) Tensile Strength - 80,000 psi Yield Point - 70,000 psi</p> <p>ACI / ASCE 530 - (Building code requirements for masonry structures)</p> <p>SHEET METAL - (Carbon Steel) ASTM A1008 / A1008M Mill Galvanized / Zinc Coating: ASTM A641 / A641M (0.10 Oz per sq ft) Hot Dip Galvanized after fabrication / Zinc Coating</p> <p>ASTM A153 / A153M-B2 (1.50 oz per sq ft) Stainless Steel ASTM 580 / ASTM 580M Type 304 (Type 316 available on special order)</p> <p>Recycled Content: Mill Galvanized & Hot Dipped, 82.8% Post-Consumer 17% Post Industrial / Pre-Consumer,</p> <p>Stainless Steel, 60% Post Consumer V O C Content - 0%</p>	<p># DT 2421 Plate</p> <p><input type="checkbox"/> 14 gauge <input type="checkbox"/> 12 gauge</p> <p>Insulation:</p> <p><input type="checkbox"/> 0" <input type="checkbox"/> 1" <input type="checkbox"/> 1-1/2" <input type="checkbox"/> 2" <input type="checkbox"/> 2-1/2" <input type="checkbox"/> 3"</p> <p>Pintle Length:</p> <p><input type="checkbox"/> 3-1/4" <input type="checkbox"/> 4-1/4" <input type="checkbox"/> 5-1/4" <input type="checkbox"/> other _____</p> <p><input type="checkbox"/> Mill Galvanized / Zinc Coating: ASTM A641 / A641M (0.10 Oz per sq ft)</p> <p><input type="checkbox"/> Hot Dip Galvanized after fabrication / Zinc Coating ASTM A153 / A 153 - B2 (1.50 oz per sq ft)</p> <p><input type="checkbox"/> Stainless Steel ASTM 580 / ASTM 580M Type 304 (Type 316 available on special order)</p> 

Corporate Office: 400 Rountree Rd Charlotte, NC 28217
TEL: (800) 849-6722 FAX: (704) 525-3761

Mailing Address: P.O. Box 240988 Charlotte, NC 28224



www.wirebond.com

Memphis Plant: 2365 Harbor Ave. Memphis, TN 38113
TEL: (800) 441-8359 FAX: (901) 775-9449

Mailing Address: P.O. Box 13124 Memphis, TN 38113