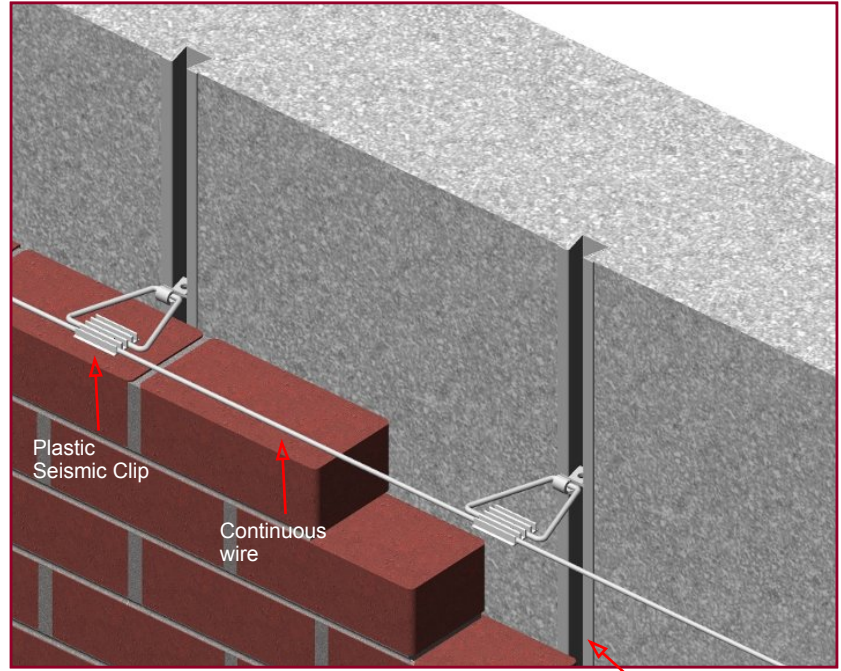
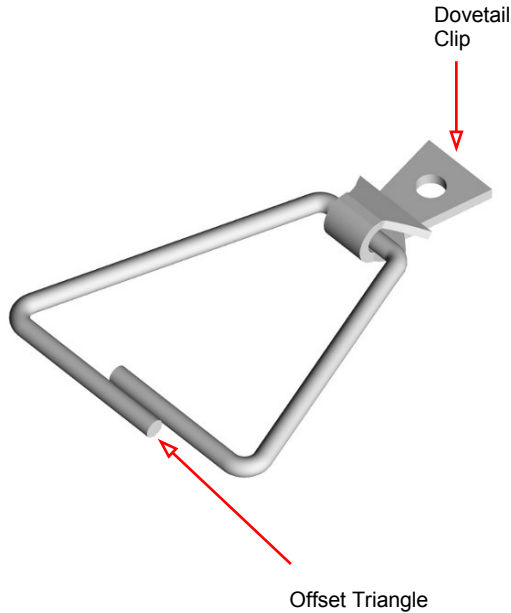



# PRODUCT SUBMITTAL



## # 2102-O Dovetail Offset Triangle



# 1304 Dovetail Slot

MATERIAL CONFORMANCE	SIZES / FINISHES	
<p><b>ASTM A82 / A82M</b> - (Cold drawn steel wire) Tensile Strength - 80,000 psi Yield Point - 70,000 psi</p> <p><b>ACI / ASCE 530</b> - (Building code requirements for masonry structures)</p> <p><b>SHEET METAL</b> - (Carbon Steel) <b>ASTM A1008 / A1008M</b></p> <p>Mill Galvanized / Zinc Coating: <b>ASTM A641 / A641M (0.10 oz per sq ft)</b> Hot Dip Galvanized after fabrication / Zinc Coating <b>ASTM A153 / A153M-B2 (1.50 oz per sq ft)</b> Stainless Steel <b>ASTM 580 / ASTM 580M Type 304</b> (Type 316 available on special order)</p> <p><b>Recycled Content:</b> Mill Galvanized &amp; Hot Dipped, 82.8% Post-Consumer 17% Post Industrial / Pre-Consumer,</p> <p>Stainless Steel, 60% Post Consumer V O C Content - 0%</p>	<p><b>Offset Triangle Diameter:</b></p> <p><input type="checkbox"/> 3/16" <input type="checkbox"/> 1/4"</p> <p><b>Dovetail Clip:</b> 12ga x 1" with 5/16" Ø hole</p> <p><b>Plastic Seismic Clip :</b> 5/16" x 1-1/8" x 1-3/4"</p> <p><b># 1304 Dovetail Slot:</b></p> <p><input type="checkbox"/> 22 gauge   <input type="checkbox"/> 24 gauge   <input type="checkbox"/> 26 gauge</p> <p><b>Standard Dimensions:</b> 1" width x 10'-0" length</p> <p><b>Finishes:</b></p> <p><input type="checkbox"/> Mill Galvanized   <input type="checkbox"/> Hot Dip Galvanized   <input type="checkbox"/> Stainless Steel</p>	
	<p><b>Offset Triangle Size:</b></p> <p><input type="checkbox"/> 3" x 3"   <input type="checkbox"/> 6" x 6" <input type="checkbox"/> 4" x 4"   <input type="checkbox"/> 7" x 7" <input type="checkbox"/> 5" x 5"   <input type="checkbox"/> 7" x 9" <input type="checkbox"/> Other _____</p> <p><b>Straight &amp; Cut Seismic Wire:</b></p> <p>10'-0" Lengths <input type="checkbox"/> 9 gauge   <input type="checkbox"/> 3/16" Ø</p>	

**Corporate Office:** 400 Rountree Rd Charlotte, NC 28217  
TEL: (800) 849-6722 FAX: (704) 525-3761

**Mailing Address:** P.O. Box 240988 Charlotte, NC 28224



[www.wirebond.com](http://www.wirebond.com)

**Memphis Plant:** 2365 Harbor Ave. Memphis, TN 38113  
TEL: (800) 441-8359 FAX: (901) 775-9449

**Mailing Address:** P.O. Box 13124 Memphis, TN 38113