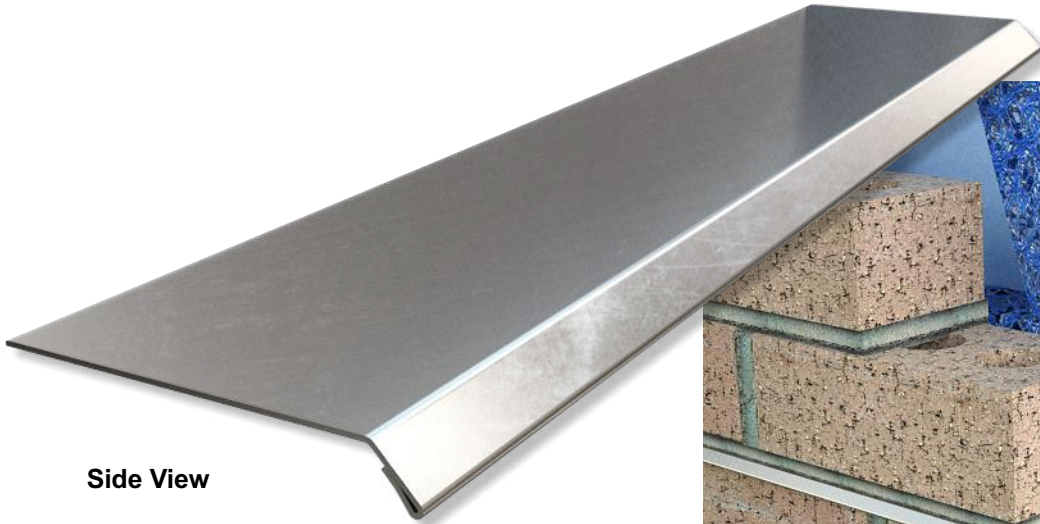


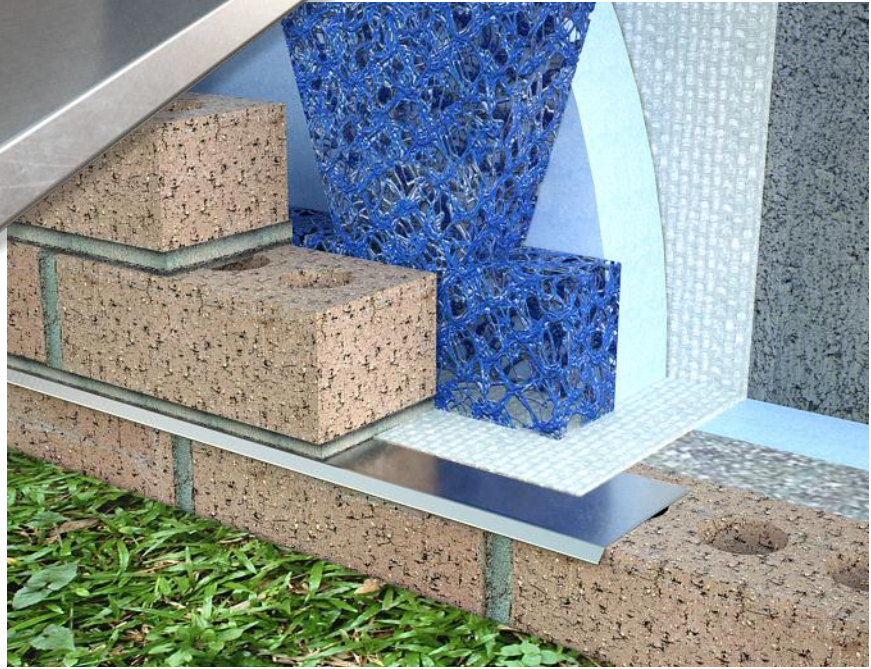
# PRODUCT SUBMITTAL



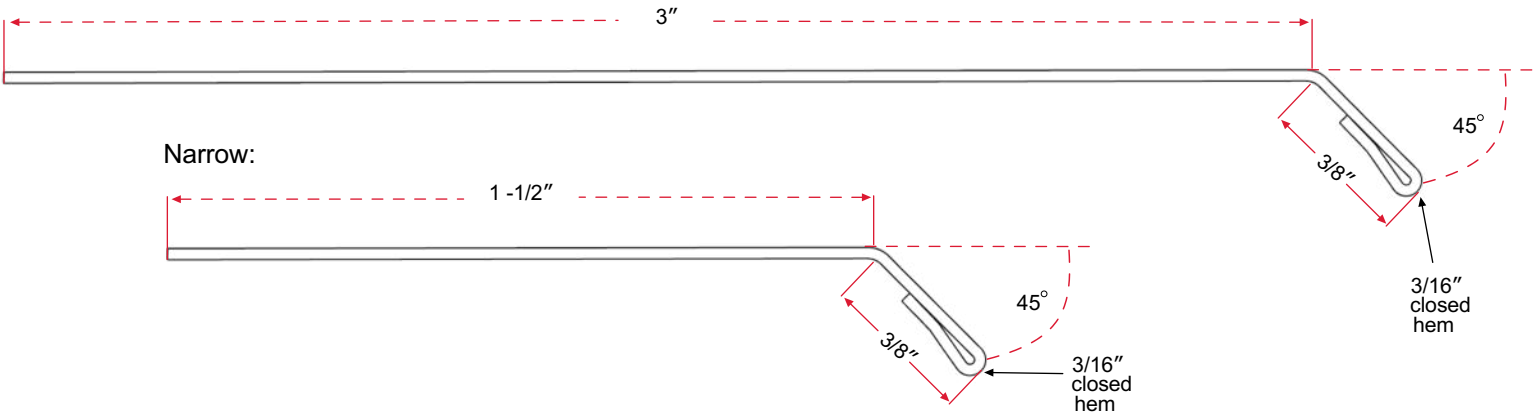
## #4165 Drip Edge Flashing



Side View



Standard:



MATERIAL CONFORMANCE	SIZES / FINISHES		
<b>SHEET METAL:</b> Stainless Steel <b>Type 304: ASTM A240/A240M, ASTM A666, ASTM A480/A480M</b> (Type 316 available on special orders)  <b>Steel Products (flats) Recycled Content:</b> Stainless Steel, 60% Post Consumer V O C Content - 0%	<b>#4165 Drip Edge Flashing:</b> 26 gauge Standard length : 8'- 0"		<b>Packaging: 25 per Box</b>
	<b>WIDTH:</b> 3"	1 -1/2"	Other
	<b>FINISH:</b> Stainless Steel <b>Type 304: ASTM A240/A240M, ASTM A666, ASTM A480/A480M</b>		

Corporate Office: 400 Rountree Rd Charlotte, NC 28217  
 TEL: (800) 849-6722 FAX: (704) 525-3761  
 Mailing Address: P.O. Box 240988 Charlotte, NC 28224



Memphis Plant: 2365 Harbor Ave. Memphis, TN 38113  
 TEL: (800) 441-8359 FAX: (901) 775-9449  
 Mailing Address: P.O. Box 13124 Memphis, TN 38113