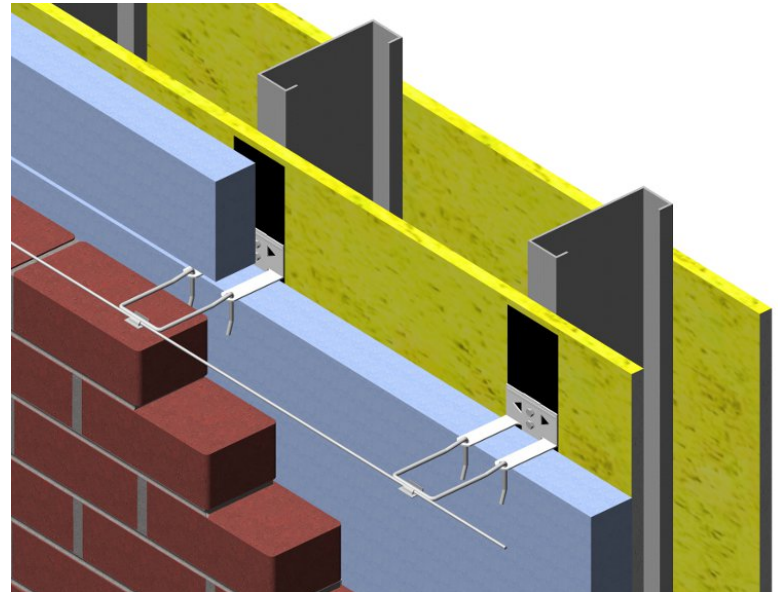
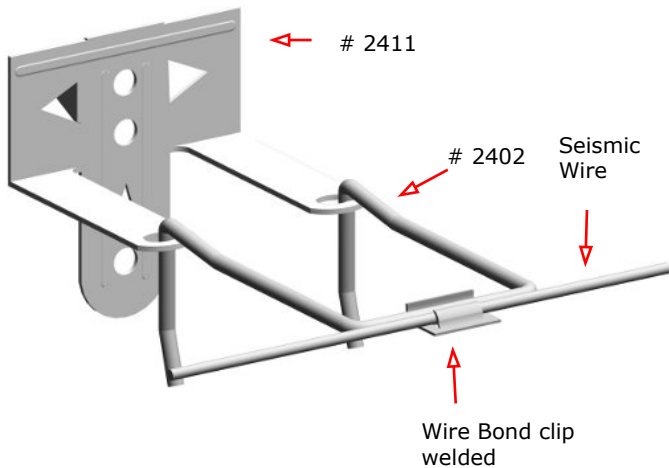



# PRODUCT SUBMITTAL



## # 2411 HCL-711 Adjustable Veneer Anchor Seismic

New design with 2 screw holes above the legs saves time while installing in insulation applications.



MATERIAL CONFORMANCE	SIZES / FINISHES
<p><b>ASTM A82 / A82M</b> - (Cold drawn steel wire) Tensile Strength - 80,000 psi Yield Point - 70,000 psi</p> <p><b>ACI / ASCE 530</b> - (Building code requirements for masonry structures)</p> <p><b>SHEET METAL</b> - (Carbon Steel) <b>ASTM A1008 / A1008M</b></p> <p>Mill Galvanized / Zinc Coating: <b>ASTM A641 / A641M (0.10 Oz per sq ft)</b></p> <p>Hot Dip Galvanized after fabrication / Zinc Coating <b>ASTM A153 / A153M-B2 (1.50 oz per sq ft)</b></p> <p>Stainless Steel <b>ASTM 580 / ASTM 580M Type 304</b> (Type 316 available on special order)</p> <p><b>Recycled Content:</b> Mill Galvanized &amp; Hot Dipped, 82.8% Post-Consumer 17% Post Industrial / Pre-Consumer,</p> <p>Stainless Steel, 60% Post Consumer V O C Content - 0%</p>	<p><b># 2411 HCL711:</b></p> <p>14 gauge    12 gauge    5/8" prong    1/2" prong</p> <p>Must be 3/4" more than insulation</p> <p><b>Insulation:</b></p> <p>0"    1"    1-1/2"    2"    2-1/2"    3"    3-1/2"    4"    4-1/2"    5"    5-1/2"    6"    6-1/2"    7"    7-1/2"    8"    8-1/2"    9"    9-1/2"    10"</p> <p><b># 2402 Hook:</b> 3/16"Ø</p> <p>3-1/4"    4-1/4"    5-1/4"    Other _____</p> <p><b>Straight &amp; Cut Seismic Wire:</b></p> <p>9 gauge    3/16"Ø</p> <p><b>FINISH:</b></p> <p>Mill Galvanized Hot Dip Galvanized Stainless Steel</p> <div style="text-align: right;">  </div>

**Corporate Office:** 400 Rountree Rd Charlotte, NC 28217  
TEL: (800) 849-6722 FAX: (704) 525-3761

**Mailing Address:** P.O. Box 240988 Charlotte, NC 28224



[www.wirebond.com](http://www.wirebond.com)

**Memphis Plant:** 2365 Harbor Ave. Memphis, TN 38113  
TEL: (800) 441-8359 FAX: (901) 775-9449

Mailing Address: P.O. Box 13124 Memphis, TN 38113