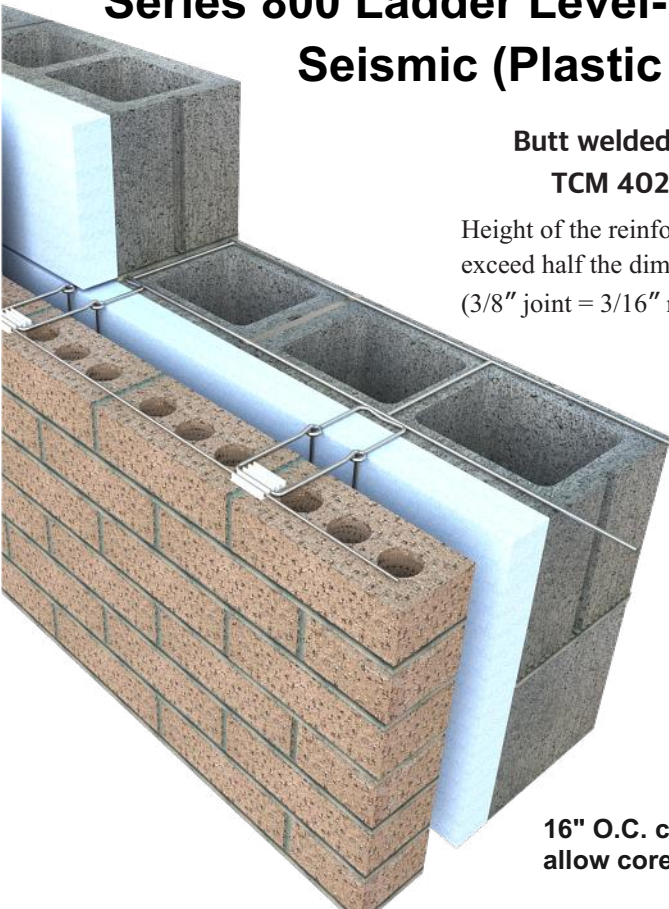


PRODUCT SUBMITTAL

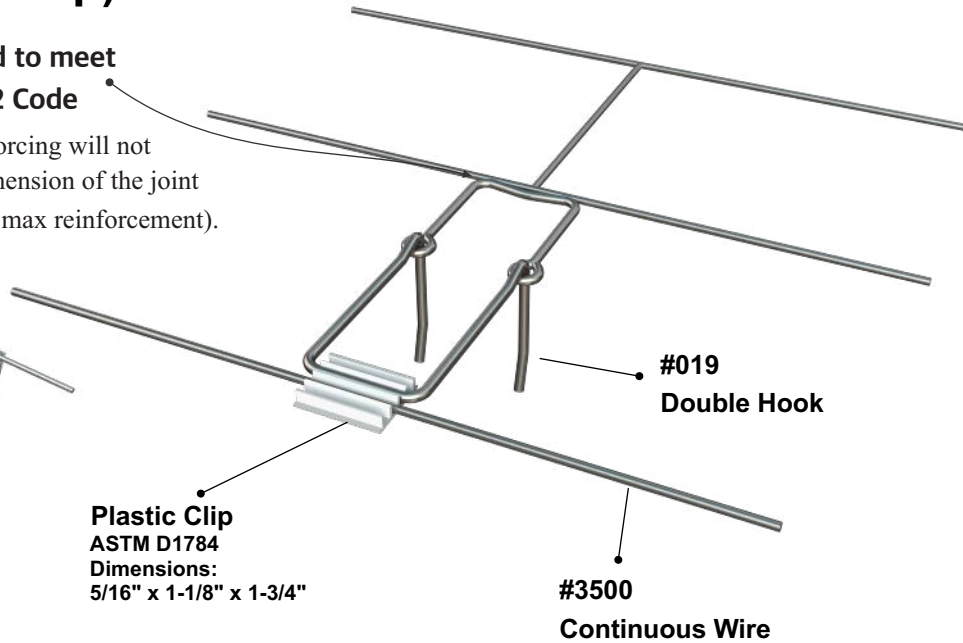
WIRE-BOND

Series 800 Ladder Level-Eye (Hook & Eye) Seismic (Plastic Clip)



Butt welded to meet
TCM 402 Code

Height of the reinforcing will not exceed half the dimension of the joint (3/8" joint = 3/16" max reinforcement).



Plastic Clip
ASTM D1784
Dimensions:
5/16" x 1-1/8" x 1-3/4"

#019
Double Hook


#3500
Continuous Wire

16" O.C. cross rods
allow core clearance.

STRUCTURAL PERFORMANCE CHARACTERISTICS

Capable of withstanding 100 lbs load in tension and compression without deforming or developing play in excess of .05 inch.

- Double eye is butt welded to side rod 16" O.C.
- Height of double eye will not exceed 3/16" in bed joint.
- Easier to maintain 3/8" mortar joint.

MATERIAL CONFORMANCE	SIZES / FINISHES						
Wire (Carbon Steel): Prefabricated from cold-drawn steel wire conforming to ASTM A1064/A1064M, ASTM A82/ A82M	WIRE SIZE:			SIDE RODS:		CROSS RODS:	
Tensile Strength - 80,000 p.s.i. Yield Point - 70,000 p.s.i. minimum	Standard			9 Gauge (.148 in)		9 Gauge	
ASTM A951/A951M (Standard Specification for Steel Wire for Masonry Joint Reinforcement)	Heavy Duty			3/16 (.187 in)		9 Gauge	
ACI / ASCE 530 (Building Code Requirements for Masonry Structures)	Extra Heavy Duty			3/16 (.187 in)		3/16	
Mill Galvanized coating: ASTM A641/A641M (0.1 oz/ft)	CMU SIZE:						
Hot-Dip Galvanized after fabrication: ASTM A153/A153M-B2 (1.5 oz/ft)	4"	6"	8"	10"	12"	14"	16"
Wire (Stainless Steel): ASTM A580/ASTM 580M - AISI Type 304 (Type 316 available on special orders)	#019 Double Hook: 3/16" dia. standard						
Recycled Content: Mill Galvanized & Fot Dipped, 82.8% Post-Consumer 17% Post Industrial / Pre Consumer	Length:		3-1/4"	4-1/4"	5-1/4"	Other	
Stainless Steel 97% Pre-Consumer V O C Content - 0%	Continuous Wire:			9gauge	3/16" dia.		
	FINISHES:			Hot Dip Galvanized		Stainless Steel	
	<i>** Please state overall wall size and cavity or insulation when ordering</i>						

Corporate Office: 400 Rountree Rd Charlotte, NC 28217
TEL: (800) 849-6722 FAX: (704) 525-3761

Mailing Address: P.O. Box 240988 Charlotte, NC 28224

WIRE-BOND

www.wirebond.com

Memphis Plant: 2365 Harbor Ave. Memphis, TN 38113
TEL: (800) 441-8359 FAX: (901) 775-9449

Mailing Address: P.O. Box 13124 Memphis, TN 38113