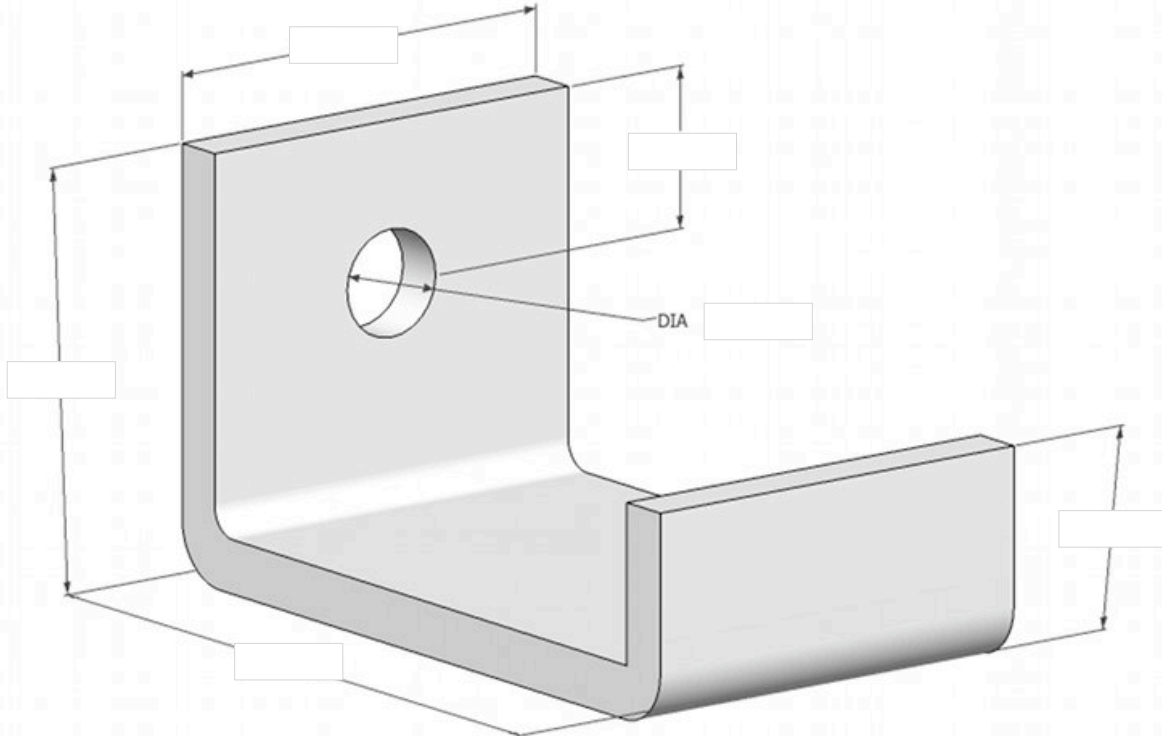


STONE ANCHORS



#3056 "U" Anchor



QUANTITY: _____

*****G#GHA]b": m1'() 2\$\$\$'d"q]"f5 GHA '5 ***L

THICKNESS:

- 1/8" 1/4"
- 3/16" Other _____

FINISH:

- Hot Dip Galv.
- Stainless Steel Type 304



CONTACT INFORMATION:

Name: _____
 Company: _____
 Phone: _____ Fax: _____
 E-mail: _____

PROJECT INFORMATION:

Name: _____
 Location: _____

