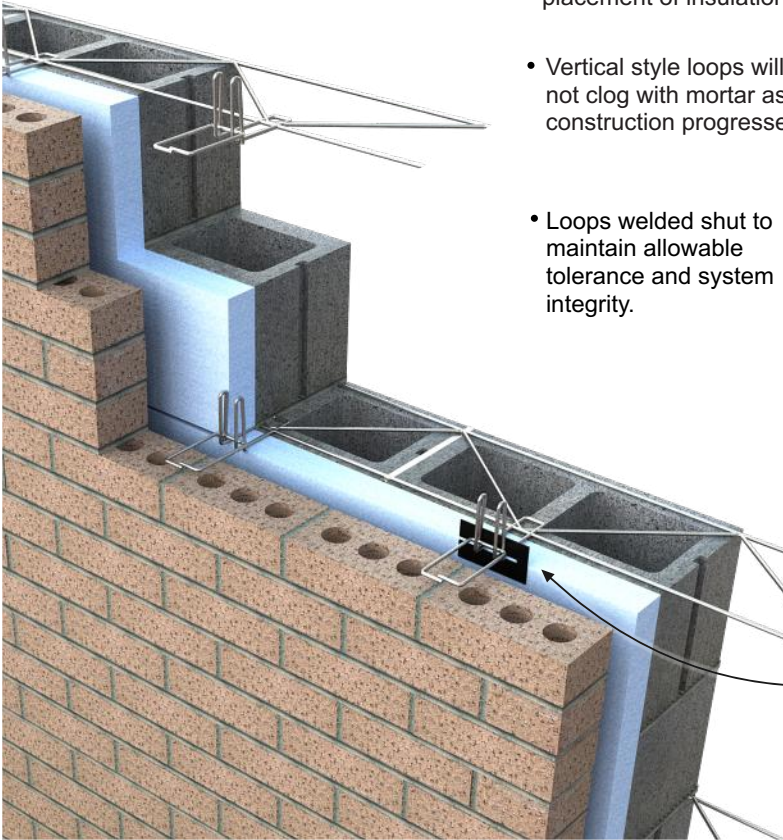
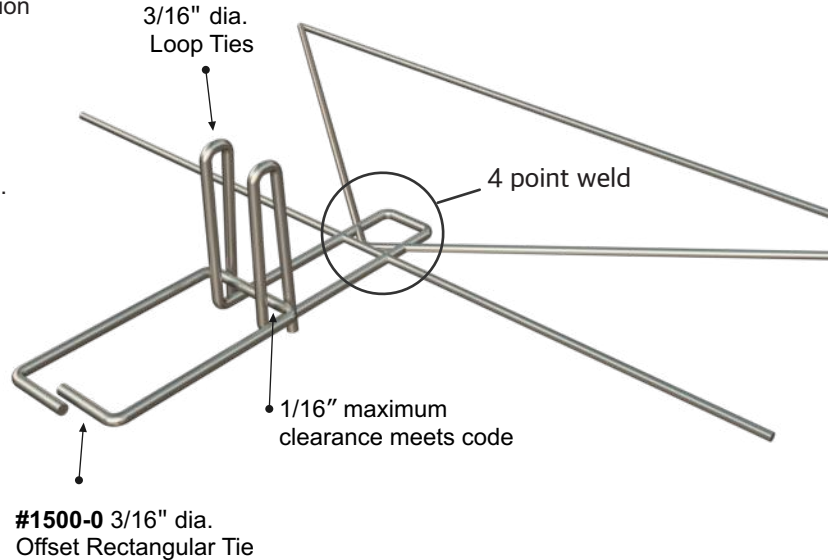


PRODUCT SUBMITTAL

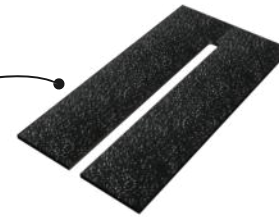
WIRE-BOND


Truss Adjustable Double Loop Tie

- Loops extend one direction only to allow simple placement of insulation.
- Vertical style loops will not clog with mortar as construction progresses.
- Loops welded shut to maintain allowable tolerance and system integrity.



Lock Washer



| MATERIAL CONFORMANCE | SIZES / FINISHES | | | | | | |
|--|---|----|--------|--------------------|--------|--------------------|-----|
| Wire (Carbon Steel): Prefabricated from cold-drawn steel wire conforming to ASTM A1064/A1064M, ASTM A82/ A82M | WIRE SIZE: | | | SIDE RODS: | | CROSS RODS: | |
| Tensile Strength - 80,000 p.s.i. Yield Point - 70,000 p.s.i. minimum | Standard | | | 9 Gauge (.148 in) | | 9 Gauge | |
| ASTM A951/A951M (Standard Specification for Steel Wire for Masonry Joint Reinforcement) | Heavy Duty | | | 3/16 (.187 in) | | 9 Gauge | |
| ACI / ASCE 530 (Building Code Requirements for Masonry Structures) | Extra Heavy Duty | | | 3/16 (.187 in) | | 3/16 | |
| Mill Galvanized coating: ASTM A641/A641M (0.1 oz/ft) | CMU SIZE: | | | | | | |
| Hot-Dip Galvanized after fabrication: ASTM A153/A153M-B2 (1.5 oz/ft) | 4" | 6" | 8" | 10" | 12" | 14" | 16" |
| Wire (Stainless Steel): ASTM A580/ASTM 580M - AISI Type 304 (Type 316 available on special orders) | #1500-0 Offset Rectangular Tie: 3/16" dia. standard | | | | | | |
| Recycled Content: Mill Galvanized & Fot Dipped, 82.8% Post-Consumer 17% Post Industrial / Pre Consumer | Length: | | 3-1/4" | 4-1/4" | 5-1/4" | Other | |
| Stainless Steel 97% Pre-Consumer V O C Content - 0% | FINISHES: | | | Hot Dip Galvanized | | Stainless Steel | |
|  | ** Please state overall wall size and cavity or insulation when ordering | | | | | | |

Corporate Office: 400 Rountree Rd Charlotte, NC 28217
TEL: (800) 849-6722 FAX: (704) 525-3761

Mailing Address: P.O. Box 240988 Charlotte, NC 28224

WIRE-BOND

www.wirebond.com

Memphis Plant: 2365 Harbor Ave. Memphis, TN 38113
TEL: (800) 441-8359 FAX: (901) 775-9449

Mailing Address: P.O. Box 13124 Memphis, TN 38113