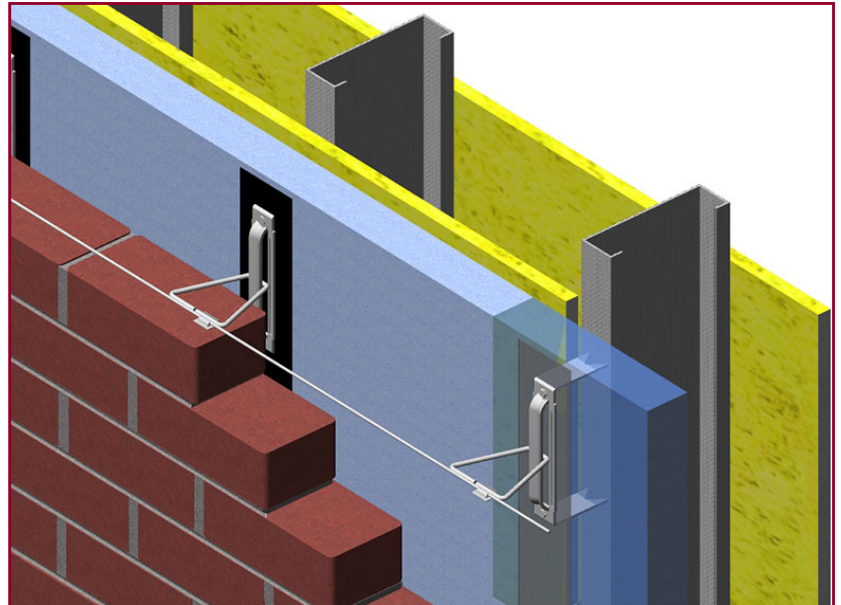
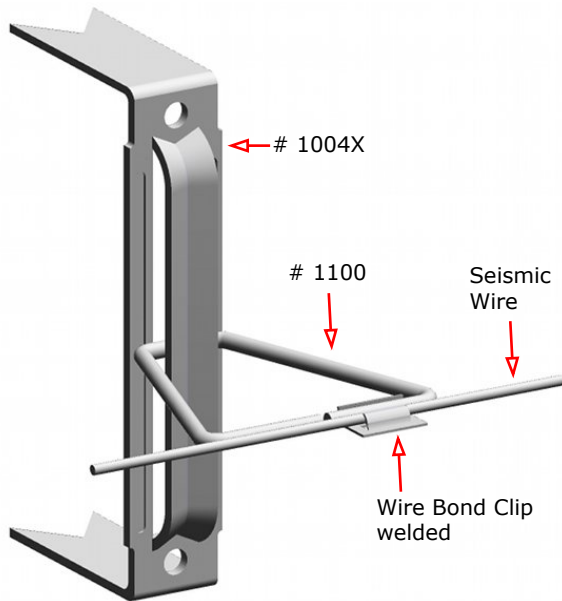



# PRODUCT SUBMITTAL



## # 1004X Type III X Screw On Veneer Anchor Seismic



MATERIAL CONFORMANCE	SIZES / FINISHES
<p><b>SHEET METAL</b> - (Carbon Steel) <b>ASTM A1008 / A1008M</b></p> <p>Mill Galvanized / Zinc Coating: <b>ASTM A641 / A641M (0.10 Oz per sq ft)</b></p> <p>Hot Dip Galvanized after fabrication / Zinc Coating <b>ASTM A153 / A153M-B2 (1.50 oz per sq ft)</b></p> <p>Stainless Steel <b>ASTM 580 / ASTM 580M Type 304</b> (Type 316 available on special order)</p> <p><b>ASTM A82 / A82M</b> - (Cold drawn steel wire) Tensile Strength - 80,000 psi Yield Point - 70,000 psi</p> <p><b>ACI / ASCE 530</b> - (Building code requirements for masonry structures)</p> <p><b>Recycled Content:</b> Mill Galvanized &amp; Hot Dipped, 82.8% Post-Consumer 17% Post Industrial / Pre-Consumer,</p> <p>Stainless Steel, 60% Post Consumer V O C Content - 0%</p> 	<p><b># 1004 Type III X:</b> 1-1/4" wide x 6" long</p> <p><input type="checkbox"/> 14 gauge    <input type="checkbox"/> 12 gauge</p> <p>(Prong length to accommodate insulation)</p> <p><b>For Gypsum Sheathing:</b> <input type="checkbox"/> 5/8"    <input type="checkbox"/> 1/2"</p> <p><b>INSULATION:</b>    <input type="checkbox"/> 1"    <input type="checkbox"/> 1-1/2"    <input type="checkbox"/> 2"    <input type="checkbox"/> 2-1/2"    <input type="checkbox"/> 3"</p> <p><b># 1100 Triangle:</b></p> <p><input type="checkbox"/> 3/16" diameter    <input type="checkbox"/> 1/4" diameter</p> <p><input type="checkbox"/> 3"x3"    <input type="checkbox"/> 4"x4"    <input type="checkbox"/> 5"x5"    <input type="checkbox"/> 6"x6"    <input type="checkbox"/> 7"x7"    <input type="checkbox"/> 7" x 9"</p> <p><b>Straight &amp; Cut Seismic Wire</b></p> <p><input type="checkbox"/> 9 gauge    <input type="checkbox"/> 3/16"</p> <p><b>FINISH:</b></p> <p><input type="checkbox"/> Mill Galvanized    <input type="checkbox"/> Hot Dip Galvanized    <input type="checkbox"/> Stainless Steel</p>

**Corporate Office:** 400 Rountree Rd Charlotte, NC 28217  
TEL: (800) 849-6722 FAX: (704) 525-3761

**Mailing Address:** P.O. Box 240988 Charlotte, NC 28224



[www.wirebond.com](http://www.wirebond.com)

**Memphis Plant:** 2365 Harbor Ave. Memphis, TN 38113  
TEL: (800) 441-8359 FAX: (901) 775-9449

**Mailing Address:** P.O. Box 13124 Memphis, TN 38113