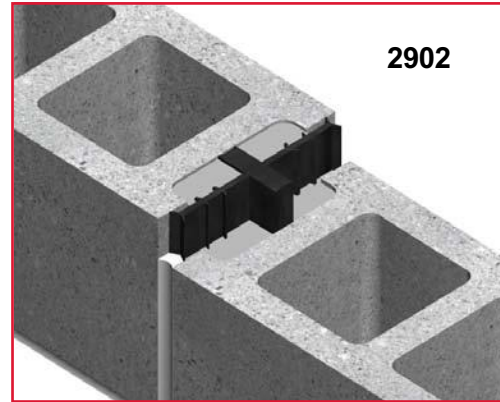
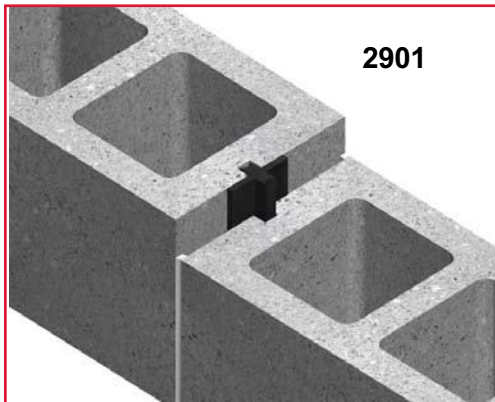
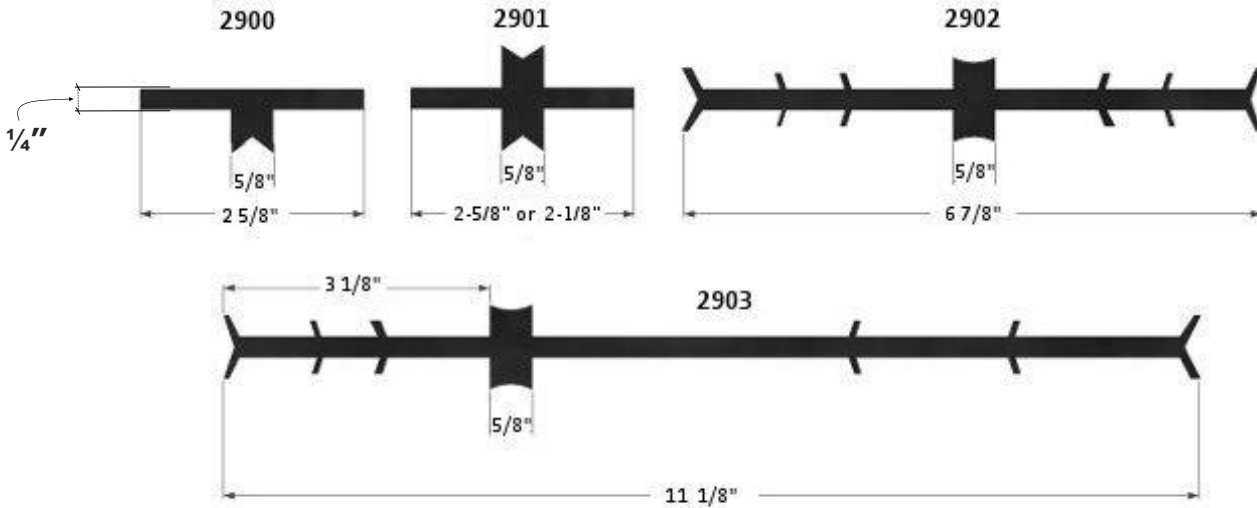



PRODUCT SUBMITTAL

WIRE-BOND

Rubber Control Joint



| MATERIAL CONFORMANCE / PROPERTY VALUES | | SIZES | | | |
|---|--|--|--------|--|-----|
| Rubber Control Joints allow for expansion and contraction of masonry walls while reducing the possibility of air and water penetration. Designed for masonry walls at control joint. ASTM D 2000 2 AA 805 ASTM D 2240 | | Rubber Control Joint 2900 2901 2902 2903 | | | |
| Property Nominal Value Tensile-Strength 2425 psi Modulus @ 100 elongation, psi 1100 Specific Gravity 1.32 Ultimate 375% Elongation-Sheet Water Absorption per ASTM D 570 Brittle Point (calculated) -10° F Hardness- Shore A/10 +/- 5 | | Flange Thickness: $\frac{1}{4}$ " | | | |
|  | | Recommended Spacing Of Control Joints | | Vertical Spacing Of Joint Replacement | |
| | | Express as ratio of panel length to height 1/h With panel length (l) not to exceed regardless of height | | <i>None</i> | 24" |
| | | 2 | 2-1/2" | 3" | 4" |
| | | 40 | 45 | 50' | 60' |

Corporate Office: 400 Rountree Rd Charlotte, NC 28217
 TEL: (800) 849-6722 FAX: (704) 525-3761

Mailing Address: P.O. Box 240988 Charlotte, NC 28224



www.wirebond.com

Memphis Plant: 2365 Harbor Ave. Memphis, TN 38113
 TEL: (800) 441-8359 FAX: (901) 775-9449

Mailing Address: P.O. Box 13124 Memphis, TN 38113