

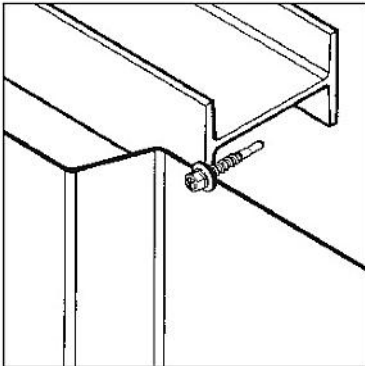
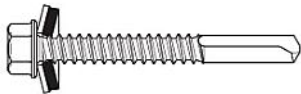
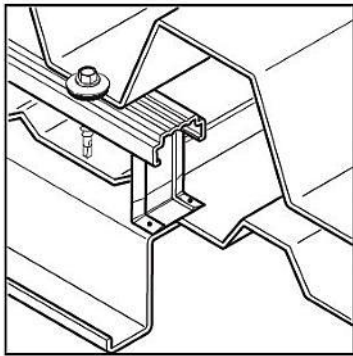
PRODUCT SUBMITTAL

WIRE-BOND

SFS Stadler SX Fastener

SX 3-Self-Drill 5/8" O.D Stainless Bond Seal Metal to metal Drill capacity: .047 – .118

Type 304 Stainless Steel



DESCRIPTION

- SX Austenitic stainless fasteners come with either a carbon steel spade point or the Bi-metal welded carbon steel point.
- SX Austenitic stainless product line offers fastening solutions for attaching panels from very thin to over 1/2" structural steel.
- Provides ultimate corrosion performance for attaching steel, stainless or aluminum panels.
- Designed for secured attachment to both panel and substructures.
- Stainless self-drill fasteners are engineered to have low driving torque and provide maximum clamp load.
- Ultimate drill performance in light, medium, and heavy gage applications.
- Washer O.D designed for both sidewall and roof panel attachment.

SIZES / TECHNICAL DATA

5/16" AF Hex Washer Head Dia: Nominal #12

	1 1/2"	2"	2 1/2"	3"
Strength (lbs ult.):				
Tensile: 3150		12 ga (.105): 1125	24 ga (.024): 1300	
Torsional: 70 in-lbs		14 ga (.075): 855	26 ga (.018): 705	
Shear: 2140		16 ga (.060): 610		



Corporate Office: 400 Rountree Rd Charlotte, NC 28217
TEL: (800) 849-6722 FAX: (704) 525-3761

Mailing Address: P.O. Box 240988 Charlotte, NC 28224

WIRE-BOND

www.wirebond.com

Memphis Plant: 2365 Harbor Ave. Memphis, TN 38113
TEL: (800) 441-8359 FAX: (901) 775-9449

Mailing Address: P.O. Box 13124 Memphis, TN 38113