

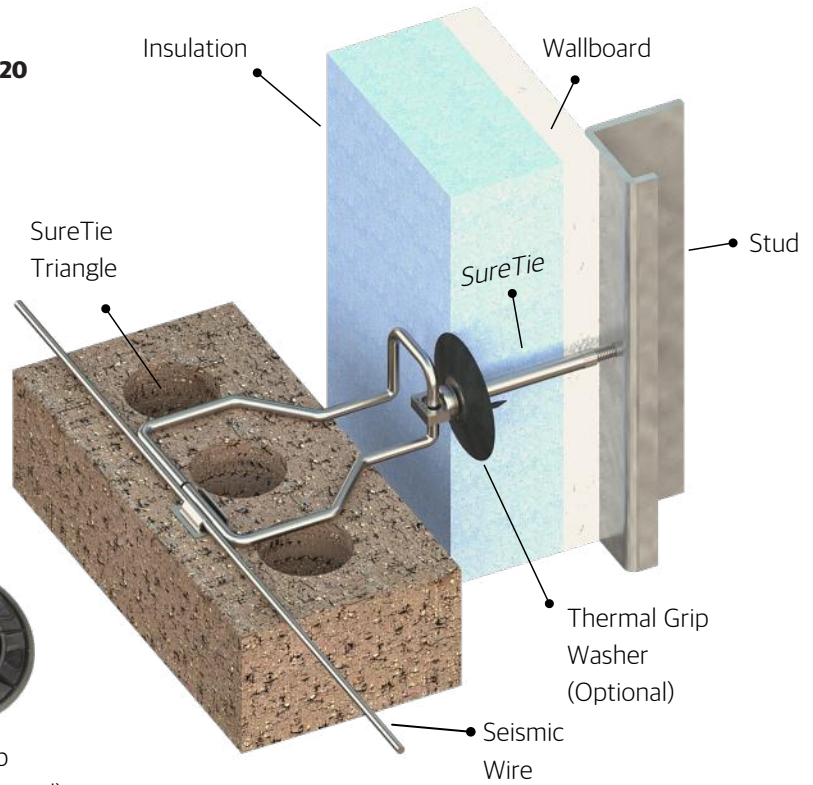
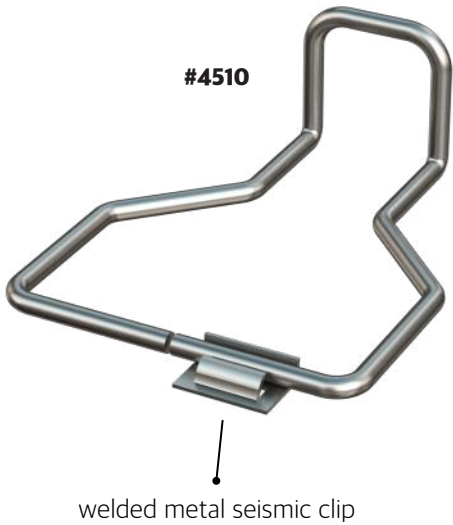
# PRODUCT SUBMITTAL




## Sure Tie Anchoring System Thermal Seismic (Metal)

"Sure-Tie fasteners do not create any significant thermal bridging effects on the wall system."

Test Results Available Upon Request



MATERIAL CONFORMANCE	SIZES / FINISHES
<p><b>ASTM A82 / A82M</b> - (Cold drawn steel wire) Tensile Strength - 80,000 psi Yield Point - 70,000 psi</p> <p><b>ACI / ASCE 530</b> - (Building code requirements for masonry structures)</p> <p>Mill Galvanized / Zinc Coating: <b>ASTM A641 / A641M (0.10 Oz per sq ft)</b></p> <p>Hot Dip Galvanized after fabrication / Zinc Coating <b>ASTM A153 / A153M-B2 (1.50 oz per sq ft)</b></p> <p>Stainless Steel <b>ASTM 580 / ASTM 580M Type 304</b> (Type 316 available on special order)</p>	<p><b># 4520 Suretie</b> Silver-gray climaseal finish resulted in 0% red rust at 1000 hours exposure to ASTM B-117 salt spray testing.</p> <p><b>Insulation:</b> 1" 1-1/2" 2" 2-1/2" 3" 3-1/2" 4" 4-1/2"</p> <p><b>Wallboard:</b> 5/8" 1/2"</p> <p><b>Straight &amp; Cut seismic wire</b> 9 gauge 3/16"</p> <p><b># 4510 Sure Tie Triangle</b> 3/16" 3" 4" 5" 7" 9"</p> <p><b>FINISH : ( Sure Tie Triangle)</b> Mill Galvanized Hot Dip Galvanized Stainless Steel</p>
<p><b>Recycled Content:</b> Mill Galvanized &amp; Hot Dipped, 82.8% Post-Consumer 17% Post Industrial / Pre-Consumer,</p> <p>Stainless Steel, 60% Post Consumer V O C Content - 0%</p> 	<p><b>#4590 Thermal Grip Washer 2"</b> dia. washer with solid cap design (no keyholes) Pre-spotting prongs Stiffened center "Bullseye" ring prevents fastener pull-through Flexible perimeter compresses on surface and reduces tearing Flattens on surface of insulation</p> <p><b>WIRE-BOND® welded clip :</b> 16 gauge standard</p>

Corporate Office: 400 Rountree Rd Charlotte, NC 28217  
TEL: (800) 849-6722 FAX: (704) 525-3761

Mailing Address: P.O. Box 240988 Charlotte, NC 28224



www.wirebond.com

Memphis Plant: 2365 Harbor Ave. Memphis, TN 38113  
TEL: (800) 441-8359 FAX: (901) 775-9449

Mailing Address: P.O. Box 13124 Memphis, TN 38113